

# PMM<sup>®</sup> Water Meters

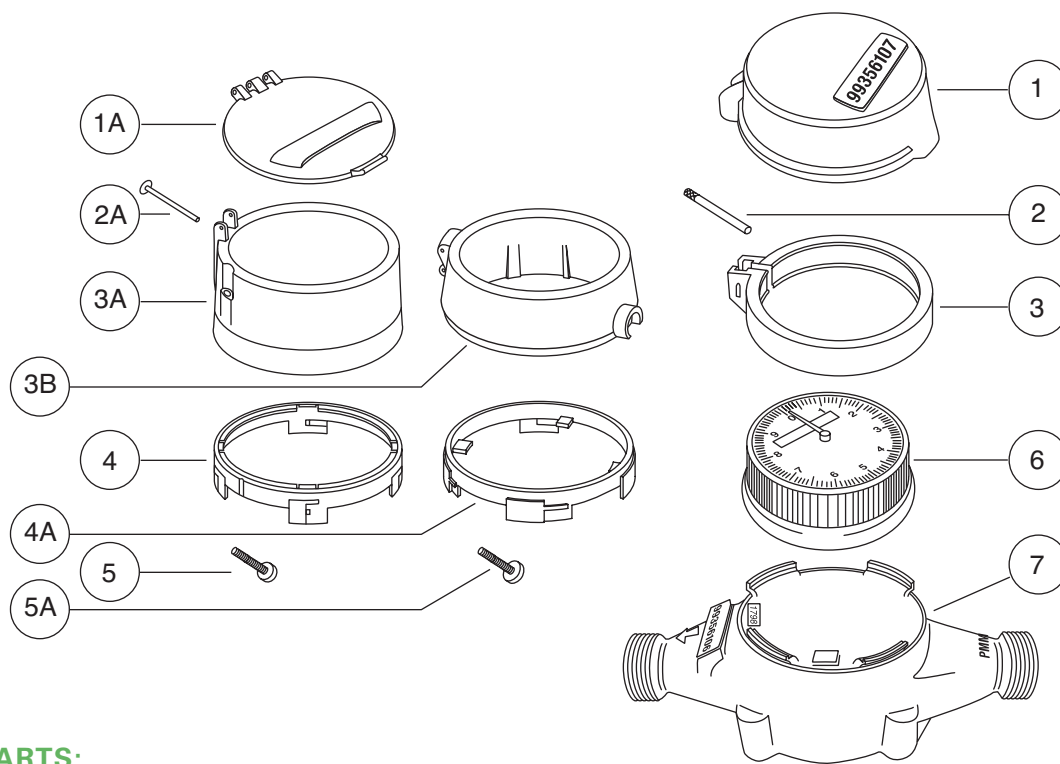
Parts List

Sizes 5/8" through 2"



# PMM® Water Meters

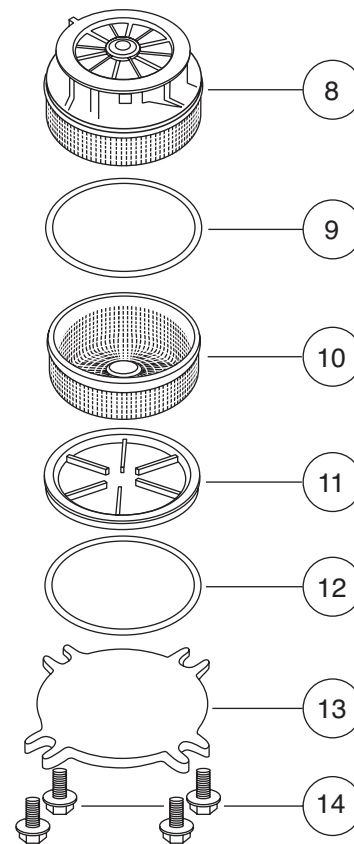
## Sizes 5/8" through 2"



### METER PARTS:

ILL. No.	Name of Part
1	Register Cover - Plastic
1A	Register Cover - Brass
2	Register Clamp Ring Pin
2A	Register Cover Hinge Pin for Brass
3	Register Clamp Ring – Plastic <sup>1</sup>
3A	Register Shroud – Brass <sup>2</sup>
3B	Plastic Register Shroud for AMR System Register
4	Shroud Plastic Insert
4A	Shroud Insert for AMR System Register
5	Shroud Tamper Star Screw
5A	Tamper Screw (elliptical head) for AMR System Register
6	Register <sup>3</sup>
7	Main Case External Thread <sup>4</sup>
7A	Main Case Internal Thread (Not Shown)
7B	Main Case Flanged (Not Shown)
7C	Main Case Flanged 10" Lay Length (Not Shown)
8	Chamber Assembly Complete
9	Chamber Seal
10	Strainer
11	Seal Retainer
12	Plate Seal
13	Bottom Plate
14	Stainless Steel Bolts

<sup>1</sup> Need Special Tool (not supplied) see illustration Number 28.  
<sup>2</sup> Need Special Tool (not supplied) see illustration Number 30.  
<sup>3</sup> Specify registration by letter designation:  
 A. U.S. Gallons; B. Cubic Feet; C. Cubic Meters; D. Other (specify).  
<sup>4</sup> Specify Spud size by letter designation:  
 A. 5/8"; B. 5/8" x 3/4"; C. 3/4"; D. 1"; E. Other (specify).

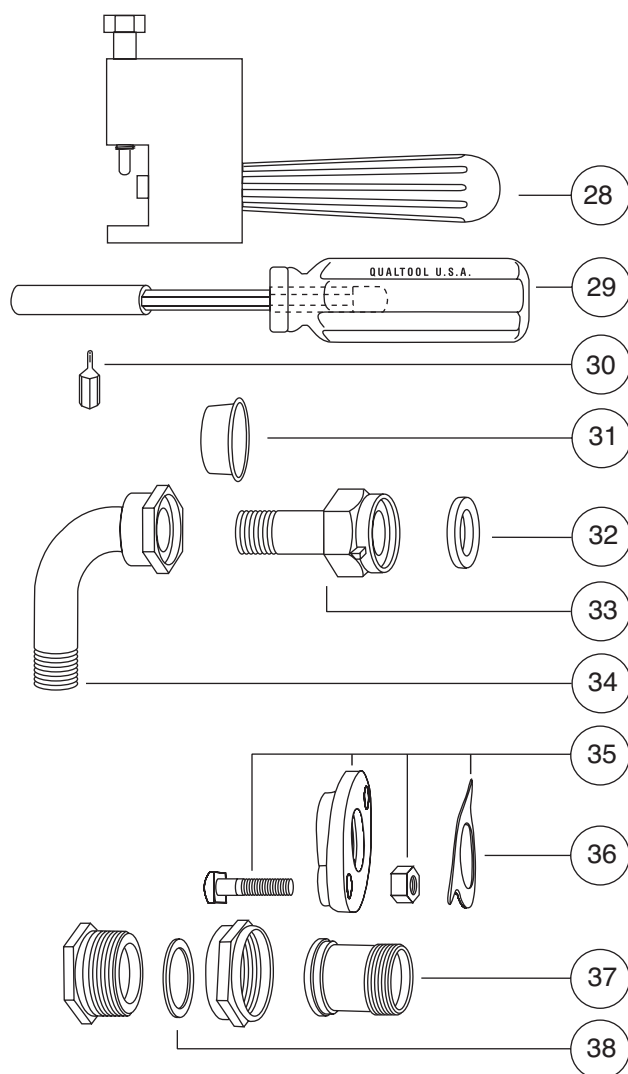


## PMM® Water Meters

### Sizes 5/8" through 2"

#### ACCESSORY EQUIPMENT:

ILL. No.	Name of Part
28	Hinge Pin Removal Tool
29	Driver for Star Screws
30	Star Screw Driver Head (see parts 5 or 16)
31	Thread Protectors External Only (specify size)
32	Connection Gasket – Rubber <sup>1</sup>
33	Connection – Straight 1/2 set <sup>1</sup>
34	Connection – Bent 1/2 set <sup>1</sup>
35	Companion Flange – Bronze 1/2 set
36	Companion Flange Gasket – Rubber
37	Connection – Straight 1/2 set (Internal)
38	Connection Gasket – Rubber



#### ICE REGISTER:

ILL. No.	Name of Part
39	Brown Plastic Bonnet (not shown)
40	Retaining Ring (not shown)
41	Screw (not shown)

#### WARRANTY:

Sensus warrants its products only against defects in materials and workmanship. Sensus' liability and customer's exclusive remedy under this warranty or any warranty extends for a period of one (1) year from the date of Sensus' shipment and is expressly limited to repayment of the purchase price, repair or replacement, at Sensus' option, during said period, upon proof satisfactory to Sensus and upon customer's returning and prepaying all charges on such products to factory or warehouse designated by Sensus.

THIS WARRANTY IS MADE EXPRESSLY IN LIEU OF ALL OTHER WARRANTIES; EXPRESS, IMPLIED, OR STATUTORY, WITH RESPECT TO QUALITY, MERCHANTABILITY, OR FITNESS FOR A PARTICULAR PURPOSE.

#### NOTES:

**Prices F.O.B. Factory** – subject to change without notice and such discounts as market conditions allow. Refer to MMP Provisions on MJ-299.