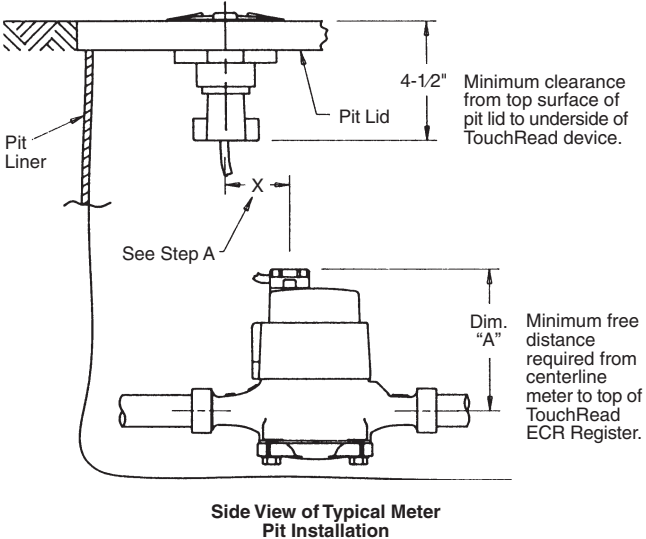
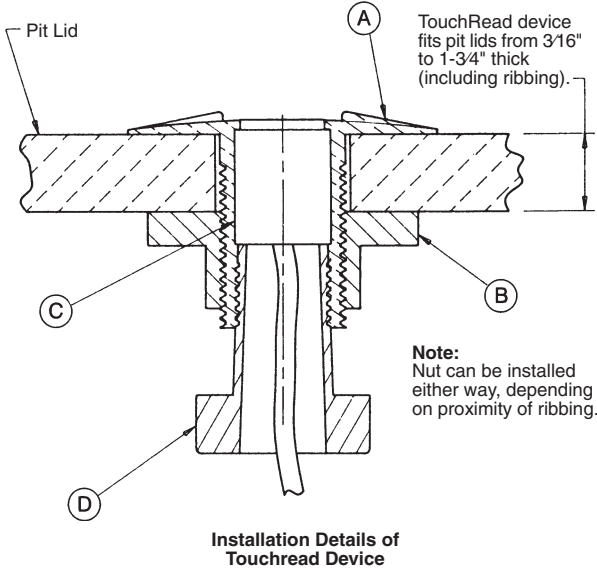
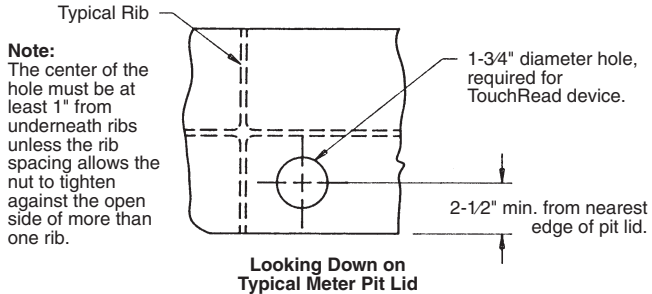


Installation Instructions

Information for TouchRead® System Pit-Lid Module



STEP A: LOCATING AND DRILLING HOLE

Drill 1-3/4" diameter hole through pit lid, clearing underside ribbing.

1. When locating the hole, determine the required vertical clearance to avoid interference of the TouchRead device and the meter (Dim. "X").
2. The hole center must be 2-1/2" minimum from the outside edge of the pit lid for clearance of the device's top flange. See the Note on rib clearance.

STEP B: INSTALLING DEVICE

1. Insert sensor housing "A" through pit lid hole (from above) and tighten securely in place with plastic nut "B."
2. Insert sensor assembly "C" (connected to meter's register) into housing and secure in place with screw plug "D."
3. Excess wire should be coiled loosely (not tied) in meter pit, allowing slack for pit lid removal. Avoid coiling around the register because opening the pit lid may catch on the register and damage the register or wires.

SR Meters	
Meter Size	Dim. "A"
5/8"	4-1/2"
3/4"	5"
1"	5-1/2"
1-1/2"	6"
2"	7"

SR II Meters	
Meter Size	Dim. "A"
5/8"	5-1/2"
3/4"	5-1/2"
1"	6-1/2"