

MODEL 713AC ACT PAK

Description

The Model 713AC is an 120 VAC powered totalizer designed to interface with various transmitters that require a 12 VDC power source and outputs pulses in measured units (such as 10 gallons, 100 gallons 100 cubic feet etc.) The instrument is packaged in a 5.9" wide X 5.9" height X 3.8" deep NEMA4X wall mount enclosure. The totalizer mounted in the door is not NEMA4. For NEMA4 requirements use a 703NR.

The totalizer shows total consumption on a 6-digit electromechanical totalizer. The input signal can be a simple contact closure from a normally open switch on a meter (impulse contactor) or a solid state output that sinks current (OMNI Meters).

Synchronous with the totalizer a repeating relay output is optionally available to interface with other systems or totalizers. Where contact bounce is a concern a bounce free mercury wetted relay is available, for other applications a Form "C" standard relay may be specified. In either case one(1) two(2) or three(3) relays may be specified. See the relay specifications under Optional Outputs.



Features

OPTIONAL OUTPUTS

Option 1 (mercury wetted relay) The mercury relay outputs a bounce free, long life SPST contact closure. The relay will not function if the load is excessive or it is subjected to back emf from inductive loads.

RATING– 1 amp 24 VDC or 0.1 amp at 117 VAC, all resistive.

Option 3 (SPDT relay) some relay contact bounce may be observed. This is a typical miniature mechanical relay that will operate under larger loads than the mercury relay.

RATING— 5 amps at 30 VDC or 250 VAC. If the load is inductive a surge suppressor should be used to extend the contact life.

NOTE: Specify the number of relays required.

INPUT SIGNALS

General Requirements

Input Frequency (full scale) – 1 to 1000 Hz

Maximum loop resistance – 40 ohms

Contact Closure Inputs

Type – SPST Interrupting Current 60 MA.

Solid State Inputs

An open collector Interrupting Current 60 MA

Electrical

Input - 117 VAC +/- 10%, 60 Hz, 1 phase
Power Consumption less than 20 volt amps, Maximum

Output – 12 VDC , 125 MA, maximum.
- 24 VDC, 125 MA, maximum
Temperature Operating Conditions
Ambient temperature – 0 °F to 120 °F

Optional Outputs

Mercury Relay Output – A SPST mercury-wetted bounce free contact closure synchronous with the input. Rated 1 amp 24 VDC, or 0.1 amp VAC. All resistive.

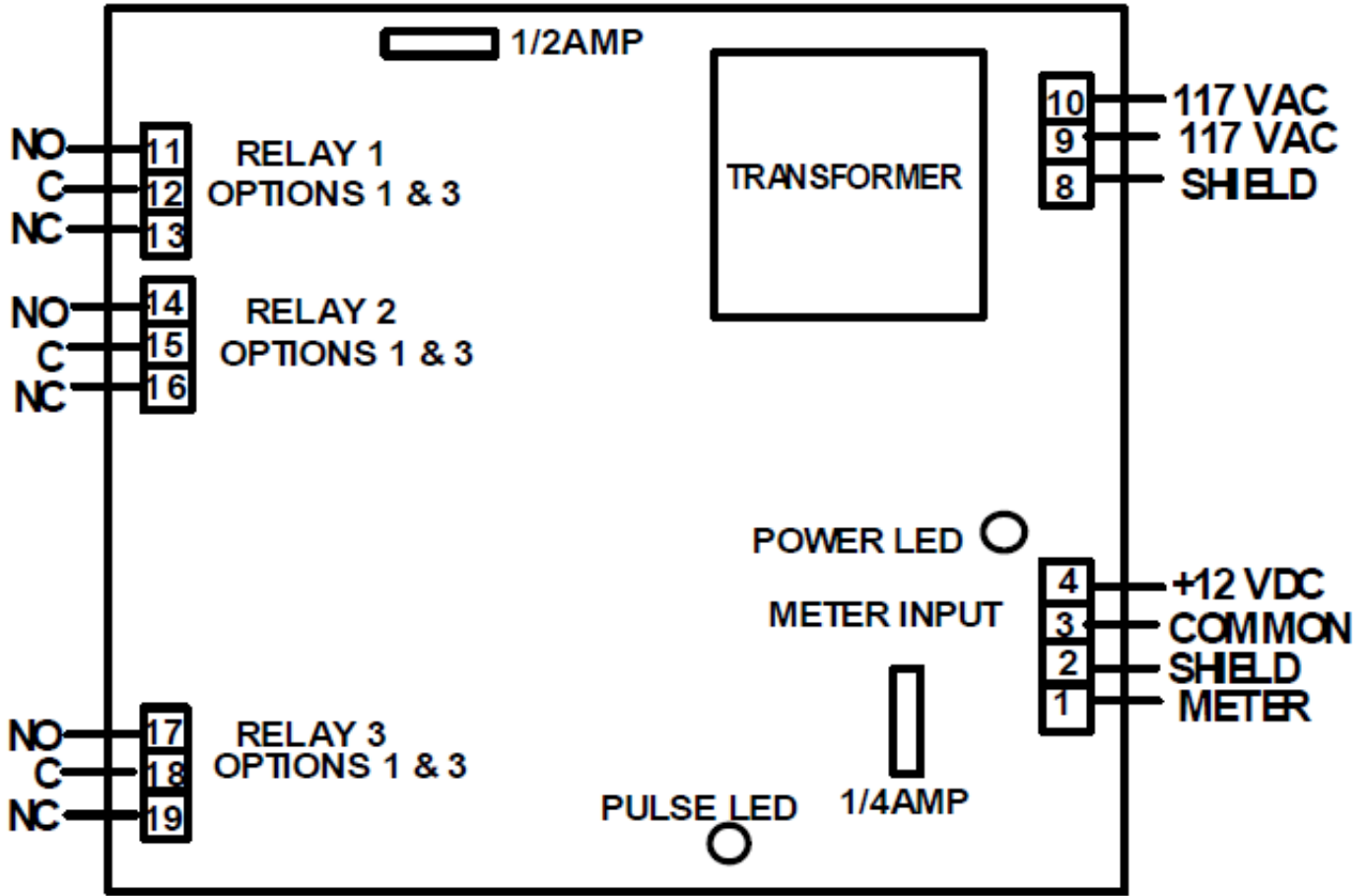
Pulsed Relay Output - A SPDT dry contact closure rated 5 amps resistive 24 VDC resistive, 117 VAC.

TERMINAL NUMBER	FUNCTION	SWITCH INPUTS	SOLID STATE INPUTS
1	Signal	Switch IN	Signal In
2	Shield	Shield	Shield
3	Common	Switch IN	Common
4	+12VDC	No Connection	Meter Power

AC POWER INPUTS	
TERMINAL NUMBERS	FUNCTION
8	Earth Ground
9	117 VAC
10	117 VAC

PULSE RELAY OUTPUT	
TERMINAL NUMBERS	FUNCTION
11(14)(17)	Normally Open (NO)
12(15)(18)	Common (C)
13(16)(19)	Normally Closed (NC)

MERCURY RELAY	
TERMINAL NUMBERS	FUNCTION
11(14)(17)	Normally Open (NO)
12(15)(18)	Common (C)



CONNECTION DRAWING MODEL 713AC

© All products purchased and services performed are subject to Sensus' terms of sale, available at either; <http://na.sensus.com/TC/TermsConditions.pdf> or 1-800-METER-IT. Sensus reserves the right to modify these terms and conditions in its own discretion without notice to the customer.

This document is for informational purposes only, and SENSUS MAKES NO EXPRESS WARRANTIES IN THIS DOCUMENT. FURTHERMORE, THERE ARE NO IMPLIED WARRANTIES, INCLUDING WITHOUT LIMITATION, WARRANTIES AS TO FITNESS FOR A PARTICULAR PURPOSE AND MERCHANTABILITY. ANY USE OF THE PRODUCTS THAT IS NOT SPECIFICALLY PERMITTED HEREIN IS PROHIBITED.